

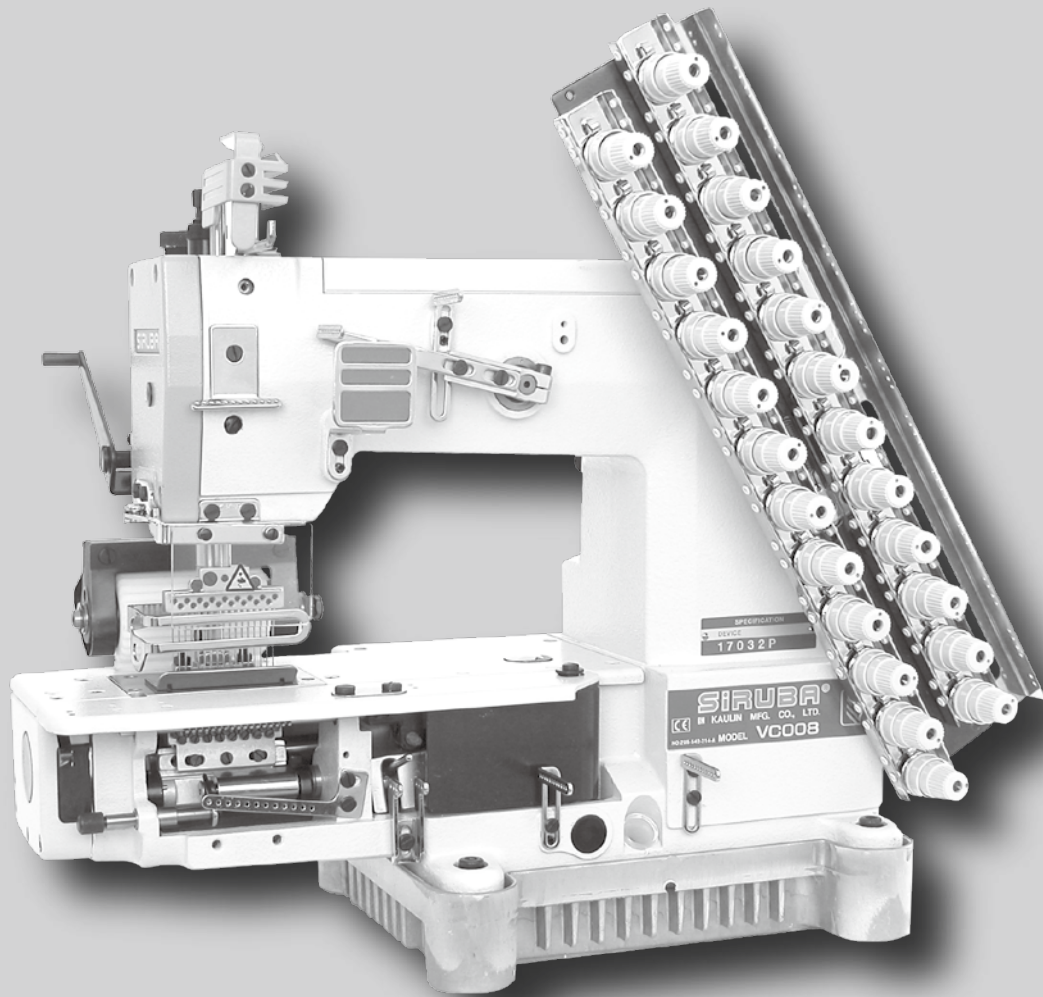
SIRUBA®

銀爺牌工業用縫紉機

INDUSTRIAL SEWING MACHINE

VC008

零件圖 PARÇA LİSTESİ

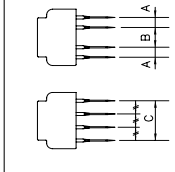
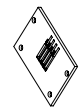
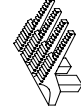
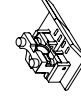

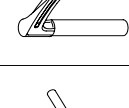
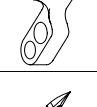
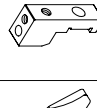
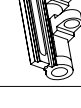
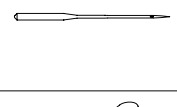


高林股份有限公司
KAULIN MFG. CO., LTD.

| 機 型 MODEL | 規 格 SVB CLASS | 種 類 NEEDLE GAUGE | 針 座 NEEDLE HOLDER | 針 板 NEEDLE PLATE | 送 具 FEED DOG | 押 具 PRESSER FOOT | 撥 線 軸 RETAINER HOLDER | 勾 針 LOOPER | 護 針 片 NEEDLE GUARD | 勾 針 座 LOOPER HOLDER | 勾 針 座 台 LOOPER HOLDER BLOCK | 針 號 NEEDLE |
|-------------------------|---------------------|------------------------|-------------------------|------------------------|--------------------|------------------------|-----------------------------|---------------|--------------------------|---------------------------|--------------------------------------|-----------------|
| | | | | | | | | | | | | |
| VC008-02/VMR | 064P | 1/4" | | | | | | | | | | |
| | 064P | 3/4" | GM9004 | E9004D | D9004 | P9004 | R9004 | VE51 | VE49 | L9004 | VE11Q | Uo113 #11~14 |
| | 085P | 1" | GM9104 | E9104D | D9104 | P9104 | R9104 | VE51 | VE49 | L9104 | VE11 | Uo113 #11~14 |
| | 095P | 1 1/8" | GM9204 | E9204D | D9204 | P9204 | R9204 | VE51 | VE49 | L9204 | VE11Q | Uo113 #11~14 |
| VC008-04 | 106P | 1 1/4" | GM9304 | E9304D | D9304 | P9304 | R9304 | VE51 | VE49 | L9304 | VE11Q | Uo113 #11~14 |
| | 127P | 1 1/2" | GM9404 | E9404D | D9404 | P9404 | R9404 | VE51 | VE49 | L9404 | VE11Q | Uo113 #11~14 |
| | 064P | 3/4" | GM9004 | E9004D | D9004 | P9004 | R9004 | VE51 | VE49 | L9004 | VE11Q | Uo113 #11~14 |
| | 085P | 1" | GM9104 | E9104D | D9104 | P9104 | R9104 | VE51 | VE49 | L9104 | VE11 | Uo113 #11~14 |
| VC008-04/VCE /RL/VAD | 095P | 1 1/8" | GM9204 | E9204D | D9204 | P9204 | R9204 | VE51 | VE49 | L9204 | VE11Q | Uo113 #11~14 |
| | 106P | 1 1/4" | GM9304 | E9304D | D9304 | P9304 | R9304 | VE51 | VE49 | L9304 | VE11Q | Uo113 #11~14 |
| | 127P | 1 1/2" | GM9404 | E9404D | D9404 | P9404 | R9404 | VE51 | VE49 | L9404 | VE11Q | Uo113 #11~14 |
| | | | | | | | | | | | | |

規格件表 DONUSTURME SEMASI

規格件表 DONUSTURME SEMASI

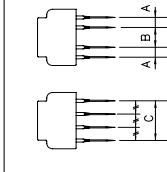
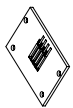
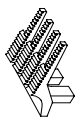
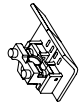
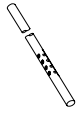
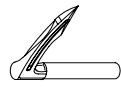

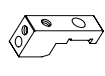
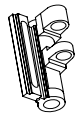

| 機 型 MODEL | 規 格 SVB CLASS | 種 類 NEEDLE GAUGE |  針 座 NEEDLE HOLDER |  針 板 NEEDLE PLATE |  送 具 FEED DOG |  押 具 PRESSER FOOT |  撥 線 軸 RETAINER HOLDER |  勾 針 LOOPER |  護 針 片 NEEDLE GUARD |  勾 針 座 LOOPER HOLDER |  勾 針 座 台 LOOPER HOLDER BLOCK |  針 號 NEEDLE |
|-----------------------------|---------------------|------------------------|--|---|---|--|--|--|---|--|---|--|
| | | | | | | | | | | | | |
| VC008-04/VCE /RL/VAD/VUT | 064P | 3/4" | GM9004 | E9004D | D9004P | P9004 | VUT109P | VE51 | VE49 | L9004 | VE11Q | Uo113 #11~14 |
| | 085P | 1" | GM9104 | E9104D | D9104P | P9104 | VUT109P | VE51 | VE49 | L9104 | VE11 | Uo113 #11~14 |
| | 095 | 1 1/8" | GM9204 | E9204D | D9204P | P9204 | VUT109P | VE51 | VE49 | L9204 | VE11Q | Uo113 #11~14 |
| VC008-04/VCE /RL/VAD/VUT | 106P | 1 1/4" | GM9304 | E9304D | D9304P | P9304 | R9304 | VE51 | VE49 | L9304 | VE11Q | Uo113 #11~14 |
| | 127P | 1 1/2" | GM9404 | E9404D | D9404P | P9404 | R9404 | VE51 | VE49 | L9404 | VE11Q | Uo113 #11~14 |
| | 064P | 3/4" | GM9004 | E9004D | D9004 | P9004 | R9004 | VE51 | VE49 | L9004 | VE11Q | Uo113 #11~14 |
| VC008-04/VWL /FH | 085P | 1" | GM9104 | E9104D | D9104 | P9104 | R9104 | VE51 | VE49 | L9104 | VE11 | Uo113 #11~14 |
| | 095P | 1 1/8" | GM9204 | E9204D | D9204 | P9204 | R9204 | VE51 | VE49 | L9204 | VE11Q | Uo113 #11~14 |
| | 106P | 1 1/4" | GM9304 | E9304D | D9304 | P9304 | R9304 | VE51 | VE49 | L9304 | VE11Q | Uo113 #11~14 |
| VC008-04/VWL /FH | 127P | 1 1/2" | GM9404 | E9404D | D9404 | P9404 | R9404 | VE51 | VE49 | L9404 | VE11Q | Uo113 #11~14 |
| | 064P | 3/4" | GM9004 | E9004D | D9004P | P9004 | VUT109P | VE51 | VE49 | L9004 | VE11Q | Uo113 #11~14 |
| | 085P | 1" | GM9104 | E9104D | D9104P | P9104 | VUT109P | VE51 | VE49 | L9104 | VE11 | Uo113 #11~14 |

| 機 型 MODEL | 規 格 SVB CLASS | 種 類 NEEDLE GAUGE | 針 座 NEEDLE HOLDER | | 針 板 NEEDLE PLATE | 送 具 FEED DOG | 押 具 PRESSER FOOT | 撥 線 軸 RETAINER HOLDER | 勾 針 LOOPER | 護 針 片 NEEDLE GUARD | 勾 針 座 LOOPER HOLDER | 勾 針 座 台 LOOPER HOLDER BLOCK | 針 號 NEEDLE |
|-----------------------|---------------------|------------------------|-------------------------|-------------------------|------------------------|--------------------|------------------------|-----------------------------|---------------|--------------------------|---------------------------|--------------------------------------|--------------------|
| | | | 針 座 NEEDLE HOLDER | 針 座 NEEDLE HOLDER | | | | | | | | | |
| VC008-04/VUT | 095P | 1 1/8" | GM9204 | | E9204D | D9204P | P9204 | VUT109P | VE51 | VE49 | L9204 | VE11Q | Uo113 #11~14 |
| | 106P | 1 1/4" | GM9304 | | E9304D | D9304P | P9304 | VUT109P | VE51 | VE49 | L9304 | VE11Q | Uo113 #11~14 |
| | 127P | 1 1/2" | GM9404 | | E9404D | D9404P | P9404 | VUT109P | VE51 | VE49 | L9404 | VE11Q | Uo113 #11~14 |
| VC008-04A | 64P | 1/4" | GM9213 | | E9213 | D9213 | P9213D | R9213 | VE51 | VE49 | L9002 | VE11Q | Uo113*4 #11~#14 |
| | 032P | (1/4-1/8-1/8 1/4)*3 | GM9113 | | E9113 | D9113 | P9113D | R9113 | VE51T | VE49T | L9119T-E | VE11Q | Uo113 #11~#14 |
| VC008-0448 | 191P | 3/16-3/4-3/16" | | GM9504A | E9504E | D9504A | P9504A | R9504A | VE51 | VE49 | L9504A | VE11Q | Uo113 #11~14 |
| | 222P | 3/16-7/8-3/16" | | GM9204A | E9204E | D9204A | P9204A | R9204A | VE51 | VE49 | L9204A | VE11Q | Uo113 #11~14 |
| | 254P | 3/16-1-3/16" | | GM9404A | E9404E | D9404A | P9404A | R9404A | VE51 | VE49 | L9404A | VE11Q | Uo113 #11~14 |
| | 254P | 3/16-1-3/16" | | GM9404A | E9404E | D9404A | P9404A | R9404A | VE51 | VE49 | L9404A | VE11Q | Uo113 #11~14 |
| VC008-0448 /VSF/FH | 191P | 1/4-3/4-1/4" | | GM9304A | E9304E | D9304A | P9304A | R9304A | VE51 | VE49 | L9304A | VE11Q | Uo113 #11~14 |
| | 127P | 1/4-1/2-1/4" | | GM9004A | E9004E | D9004A | P9004A | R9004A | VE51 | VE49 | L9004A | VE11Q | Uo113 #11~14 |
| | 254P | 1/4-1-1/4" | | GM9104A | E9104E | D9104A | P9104A | R9104A | VE51 | VE49 | L9104A | VE11Q | Uo113 #11~14 |

*VPT: 適用於 VC008-12XXX VSF: 適用於 VC008-0448/0464 VWL: 適用於 VC008-04XXX

規格件表 DONUSTURME SEMASI

規格件表 DONUSTURME SEMASI

| 機 型 MODEL | 規 格 SVB CLASS | 種 類 NEEDLE GAUGE |  針 座 NEEDLE HOLDER |  針 板 NEEDLE PLATE |  送 具 FEED DOG |  押 具 PRESSER FOOT |  撥 線 軸 RETAINER HOLDER |  勾 針 LOOPER |  護 針 片 NEEDLE GUARD |  勾 針 座 LOOPER HOLDER |  勾 針 座 台 LOOPER HOLDER BLOCK |  針 號 NEEDLE |
|-----------------------|---------------------|------------------------|--|---|---|--|--|--|---|--|---|--|
| | | | | | | | | | | | | |
| VC008-0464 /VSF/FH | 191P | 1/4-3/4-1/4" | GM9304A | E9304E | D9304A | P9304A | R9304A | VE51 | VE49 | L9304A | VE11Q | Uo113 #11~14 |
| | 254P | 1/4-1-1/4" | GM9104A | E9104E | D9104A | P9104A | R9104A | VE51 | VE49 | L9104A | VE11Q | Uo113 #11~14 |
| VC008-06/VPL /LSA | 048P | 3/16" | GM9012 | E9012 | D9012 | P9412D | R9012 | VE51 | VE49 | L9012 | VE11P | Uo113 #11~14 |
| | 064P | 1/4" | GM9112 | E9112 | D9112 | P9512D | R9112 | VE51 | VE49 | L9112 | VE11P | Uo113 #11~14 |
| VC008-06/VPL | 064P | 1/2" | GM9112 | E9112 | D9112 | P9512B | R9112 | VE51 | VE49 | L9112 | VE11P | Uo113 #11~14 |
| VC008-06/VUT | 064P | 1/4" | GM9112 | E9112 | D9112 | P9512D | VUT109P | VE51 | VE49 | L9112 | VE11P | Uo113 #11~14 |
| VC008-06/VWL /FH | 048P | 3/16" | GM9012 | E9012 | D9012 | P9412D | R9012 | VE51 | VE49 | L9012 | VE11Q | Uo113 #11~14 |
| | 048P | 3/16" | GM9012 | E9012 | D9012 | P9012D | R9012 | VE51 | VE49 | L9012 | VE11Q | Uo113 #11~14 |
| VC008-12 | 050P | 5mm | GM9612 | E9612 | D9612 | P9612D | R9612 | VE51 | VE49 | L9612 | VE11Q | Uo113 #11~14 |
| VC008-12/VPQ | 064P | 1/4" | GM9112 | E9112 | D9112 | P9112D | R9112 | VE51 | VE49 | L9112 | VE11Q | Uo113 #11~14 |
| | 064P | 1/4" | GM9112 | E9312 | D9312 | P9312 | R9112 | VE51Q | VE49 | L9112 | VE11Q | Uo113 #11~14 |
| | 048P | 3/16" | GM9012 | E9212 | D9212 | P9212 | R9012 | VE51Q | VE49 | L9012 | VE11Q | Uo113 #11~14 |

| 機 型 MODEL | 規 格 SVB CLASS | 種 類 NEEDLE GAUGE | 針 座 NEEDLE HOLDER | 針 板 NEEDLE PLATE | 送 具 FEED DOG | 押 具 PRESSER FOOT | 撥 線 軸 RETAINER HOLDER | 勾 針 LOOPER | 護 針 片 NEEDLE GUARD | 勾 針 座 LOOPER HOLDER | 勾 針 座 台 LOOPER HOLDER BLOCK | 針 號 NEEDLE |
|---------------|---------------------|------------------------|-------------------------|------------------------|--------------------|------------------------|-----------------------------|---------------|--------------------------|---------------------------|--------------------------------------|-------------------|
| | | | | | | | | | | | | |
| VC008-12/VPQK | 064P | 1/4" | GM9112 | E9312 | D9312 | P9312 | R9112 | VE51Q | VE49 | L9112 | VE11Q | Uo113 #11~14 |
| | 048P | 3/16" | GM9012 | E9212 | D9212 | P9212 | R9012 | VE51Q | VE49 | L9012 | VE11Q | Uo113 #11~14 |
| VC008-12/VPS | 048P | 3/16" | GM9012 | E9212A | D9212 | P9212B | — | VSM47 | — | L9012 | VE11Q | DV-K25 #18.#21 |
| | 064P | 1/4" | GM9112 | E9312A | D9312 | P9312B | — | VSM47 | — | L9112 | VE11Q | DV-K25 #18.#21 |
| VC008-12/VPL | 064P | 1/4" | GM9112 | E9112 | D9112 | P9712D | R9112 | VE51 | VE49 | L9112 | VE11Q | Uo113 #11~14 |
| | 048P | 3/16" | GM9012 | E9012 | D9012 | P9012D | R9012 | VE51 | VE49 | L9012 | VE11Q | Uo113 #11~14 |
| VC008-12/VPT | 064P | 1/4" | GM9112 | E9112 | D9112 | P9112D | R9112 | VE51 | VE49 | L9112 | VE11Q | Uo113 #11~14 |
| | 048P | 3/16" | GM9012 | E9012 | D9012 | P9012B P9212B | R9012 | VE51 | VE49 | L9012 | VE11Q | DVx57 #11~#18 |
| VC008-12/VSM | 064P | 1/4" | GM9112 | E9112 | D9112 | P9112B P9312B | R9112 | VE51 | VE49 | L9112 | VE11Q | DVx57 #11~#18 |
| | 048P | 3/16" | GM9012 | E9212A | D9212 | P9212B | — | VSM47 | VE49 | L9012 | VE11Q | DV-K25 #18.#21 |
| VC008-12/VSQ | 064P | 1/4" | GM9112 | E9312A | D9312 | P9312B | — | VSM47 | VE49 | L9112 | VE11Q | DV-K25 #18.#21 |

*VPPT: 適用於 VC008-12XXX

VSF: 適用於 VC008-0448/0464

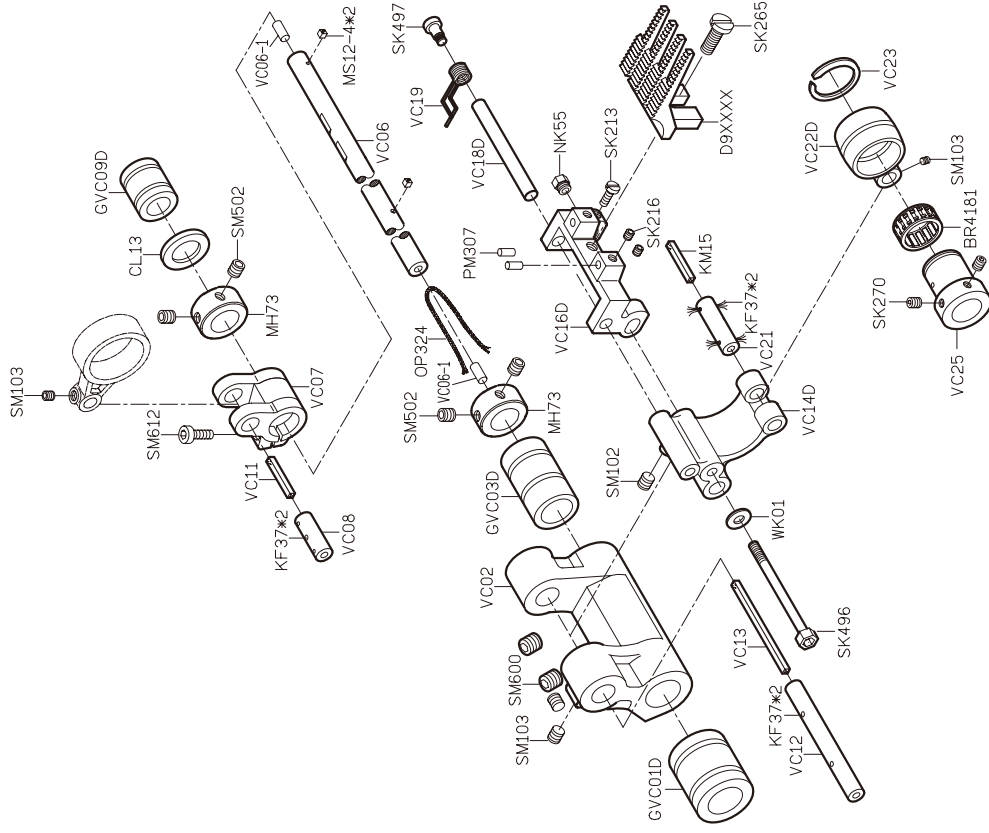
VWL: 適用於 VC008-04XXX

規格件表 DONUSTURME SEMASI

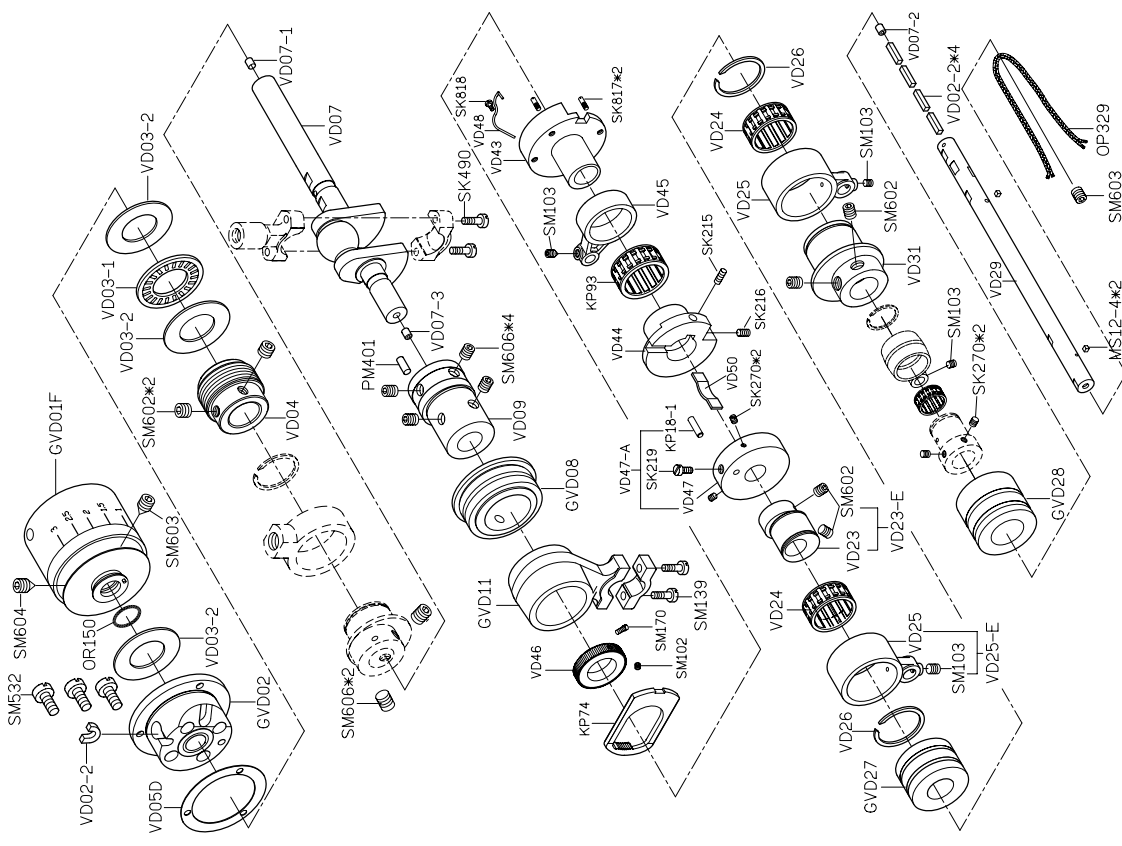
規格件表 DONUSTURME SEMASI

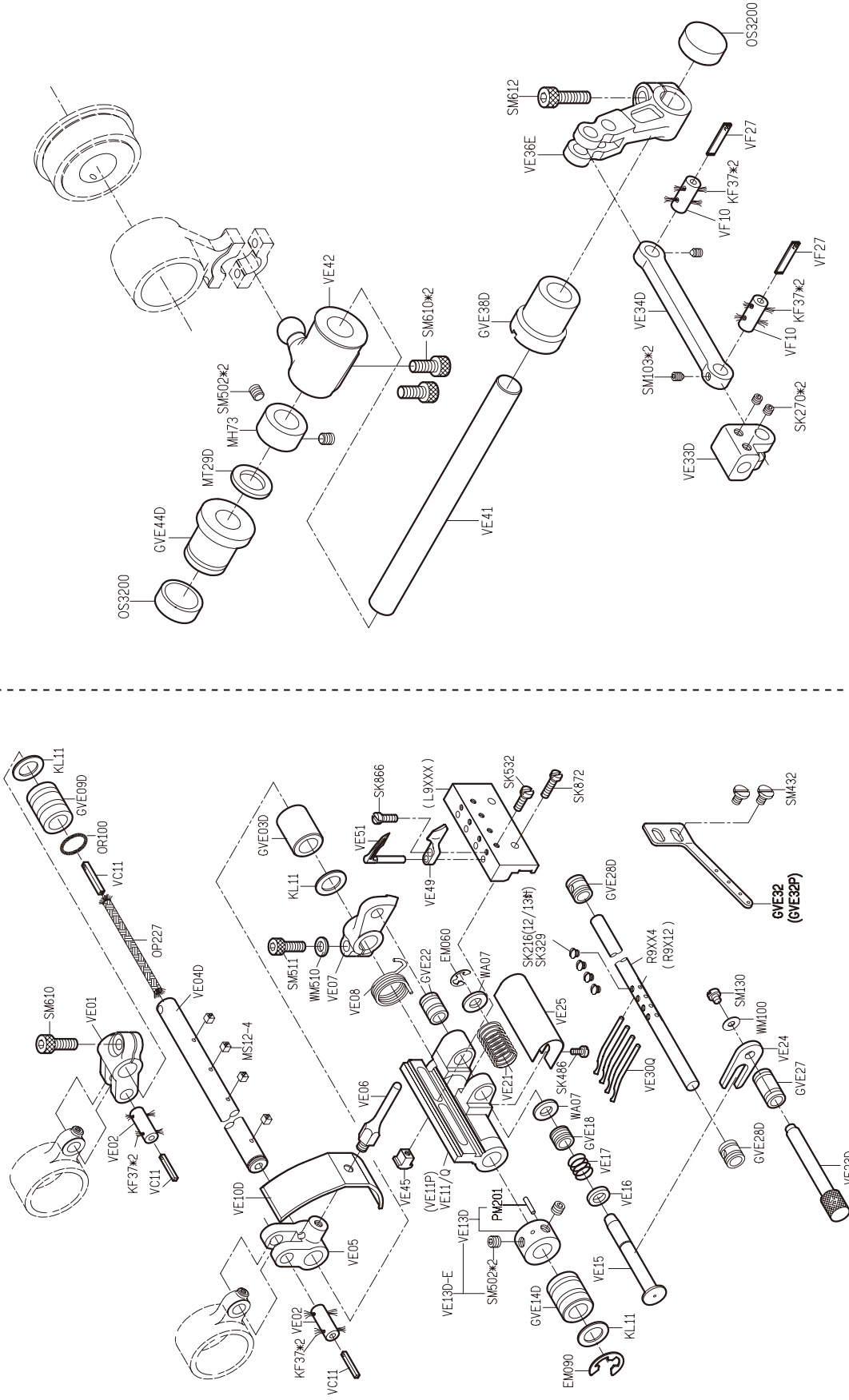
| 機 型 MODEL | 規 格 SVB CLASS | 種 類 NEEDLE GAUGE | 針 座 NEEDLE HOLDER | 針 板 NEEDLE PLATE | 送 具 FEED DOG | 押 具 PRESSER FOOT | 撥 線 軸 RETAINER HOLDER | 勾 針 LOOPER | 護 針 片 NEEDLE GUARD | 勾 針 座 LOOPER HOLDER | 勾 針 座 台 LOOPER HOLDER BLOCK | 針 號 NEEDLE |
|--------------|---------------------|------------------------|-------------------------|------------------------|--------------------|------------------------|-----------------------------|---------------|--------------------------|---------------------------|--------------------------------------|--------------------|
| | | | | | | | | | | | | |
| | 050P | 5mm | GM9612 | E9612 | D9612P | P9612D | VUT109P | VE51 | VE49 | L9612 | VE11Q | Uo113 #11~#14 |
| | 064P | 1/4" | GM9112 | E9112 | D9112 | P9112D | R9112 | VE51 | VE49 | L9112 | VE11Q | Uo113 #11~#14 |
| | 032P | (1/4-1/8-1/8 1/4)*3 | GM9113 | E9113 | D9113 | P9113D | R9113 | VE51T | VE49T | L9119T-E | VE11Q | Uo113 #11~#14 |
| | 64P | 1/4" | GM9213 | E9213 | D9213 | P9213D | R9213 | VE51 | VE49 | L9002 | VE11Q | Uo113*6 #11~#14 |
| | 032P | 1/8" | GM9313 | E9313 | D9313 | P9313 | R9313 | VE51T | VE49T | L9113T-E | VE11P | Uo113*4 #11~#14 |
| | 064P | 1/4" | GM9213 | E9213 | D9213 | P9213D | R9213 | VE51 | VE49 | L9213 | VE11Q | Uo113*4 #11~#14 |
| | 032P | (1/4-1/8-1/8 1/4)*3 | GM9113 | E9113 | D9113 | P9113D | R9113 | VE51T | VE49T | L9119T-E | VE11P | Uo113*4 #11~#14 |
| | 032P | 1/8" | GM9117 | E9117 | D9117 | P9117 | R9117 | VE51T | VE49T | L9119T-E | VE11P | Uo113*4 #11~#14 |
| | 032P | 1/8" | GM9121 | E9121 | D9121 | P9121 | R9121 | VE51T | VE49T | L9123T-E | VE11P | Uo113*4 #11~#14 |
| | 032P | 1/8" | GM9123 | E9123 | D9123 | P9123 | R9123 | VE51T | VE49T | L9123T-E | VE11P | Uo113*4 #11~#14 |
| | 032P | 1/8" | GM9125 | E9125 | D9125 | P9125 | R9125 | VE51T | VE49T | L9125T-E | VE11P | Uo113*4 #11~#14 |

VC GRUP İÇİN PARÇA LİSTESİ



VD GRUP İÇİN PARÇA LİSTESİ



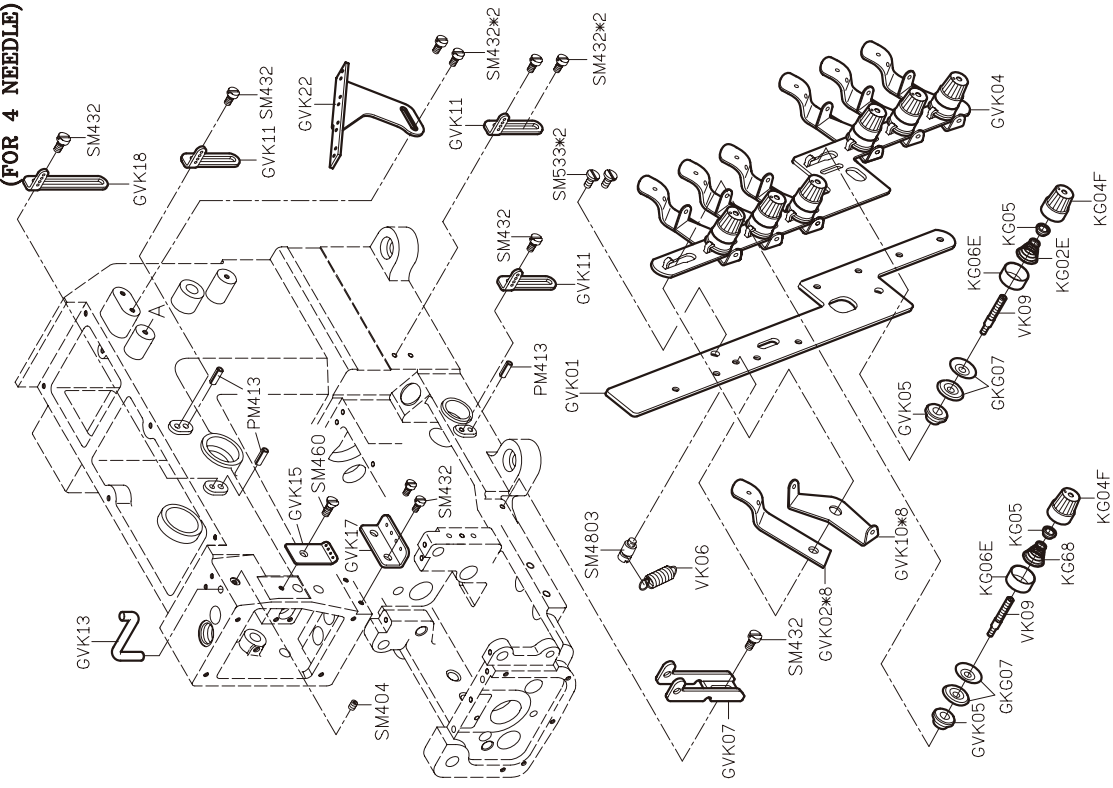


VE GRUP İÇİN PARÇA LİSTESİ

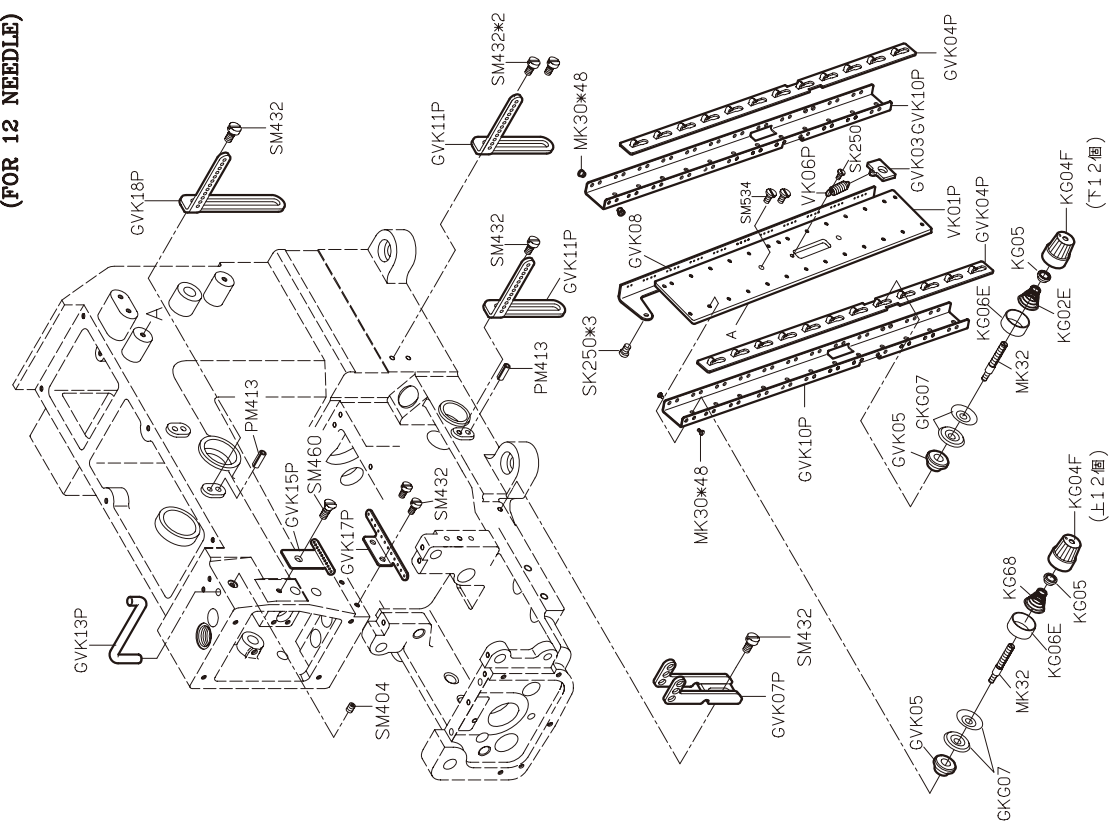
VE GRUP İÇİN PARÇA LİSTESİ

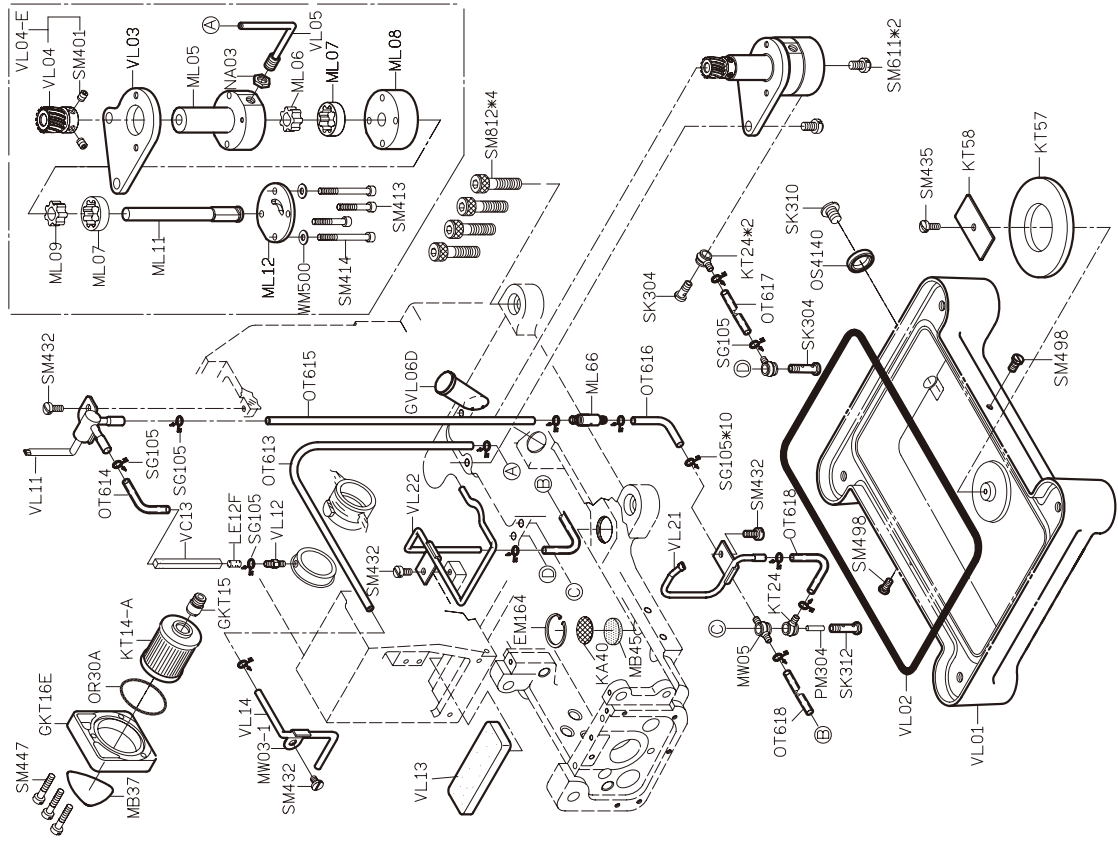
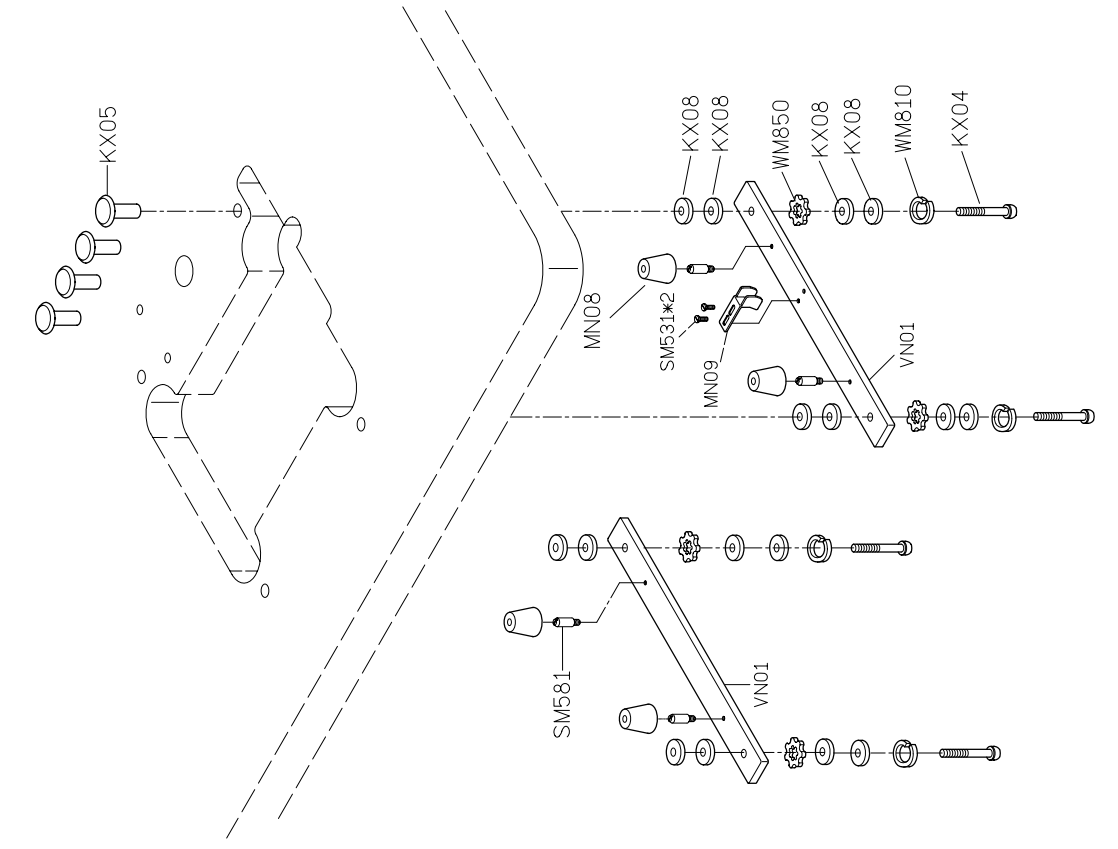
VK GRUP İÇİN PARÇA LİSTESİ

(FOR 4 NEEDLE)



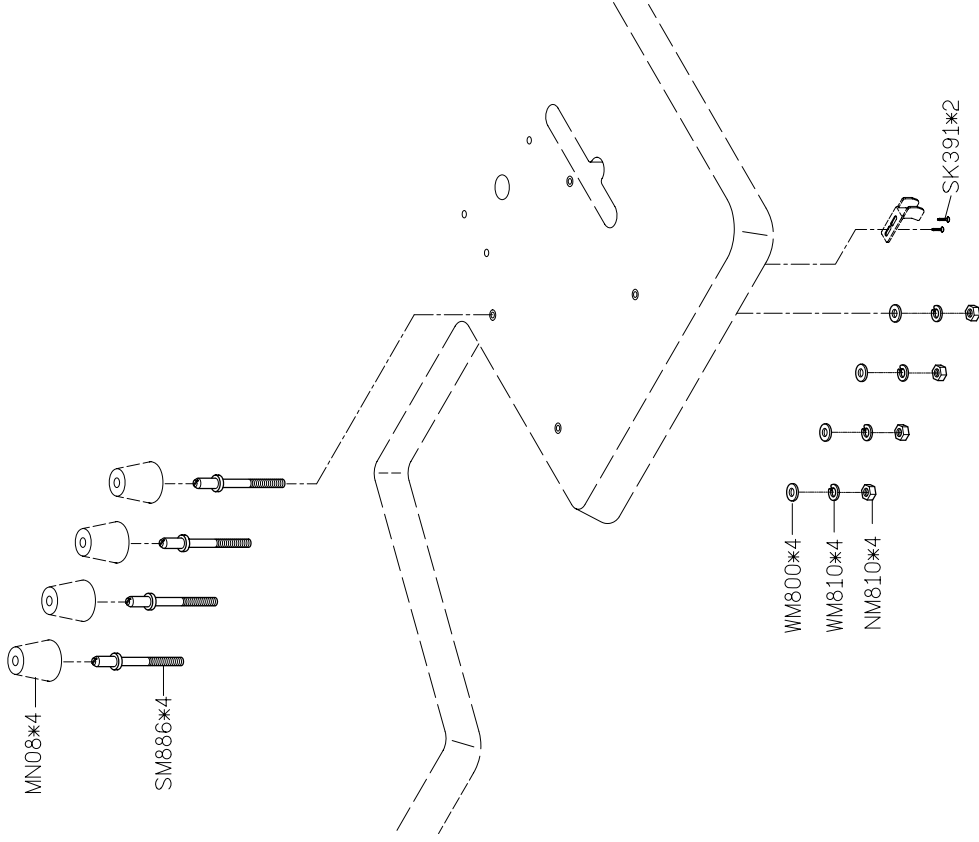
(FOR 12 NEEDLE)



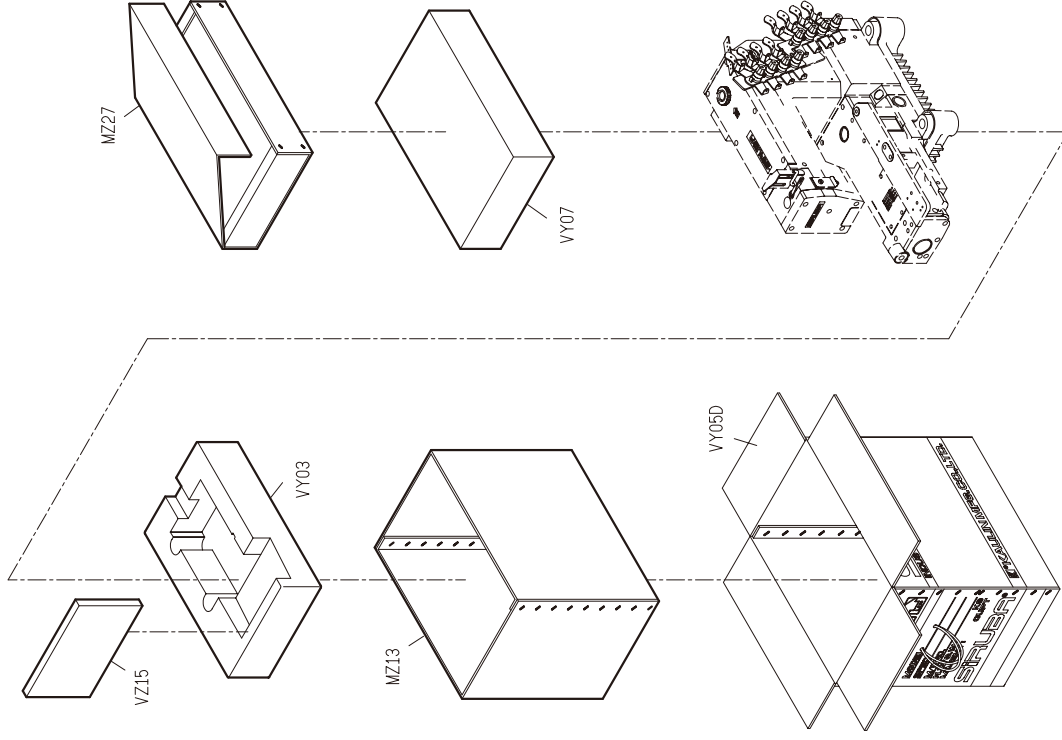


VL GRUP İÇİN PARÇA LİSTESİ

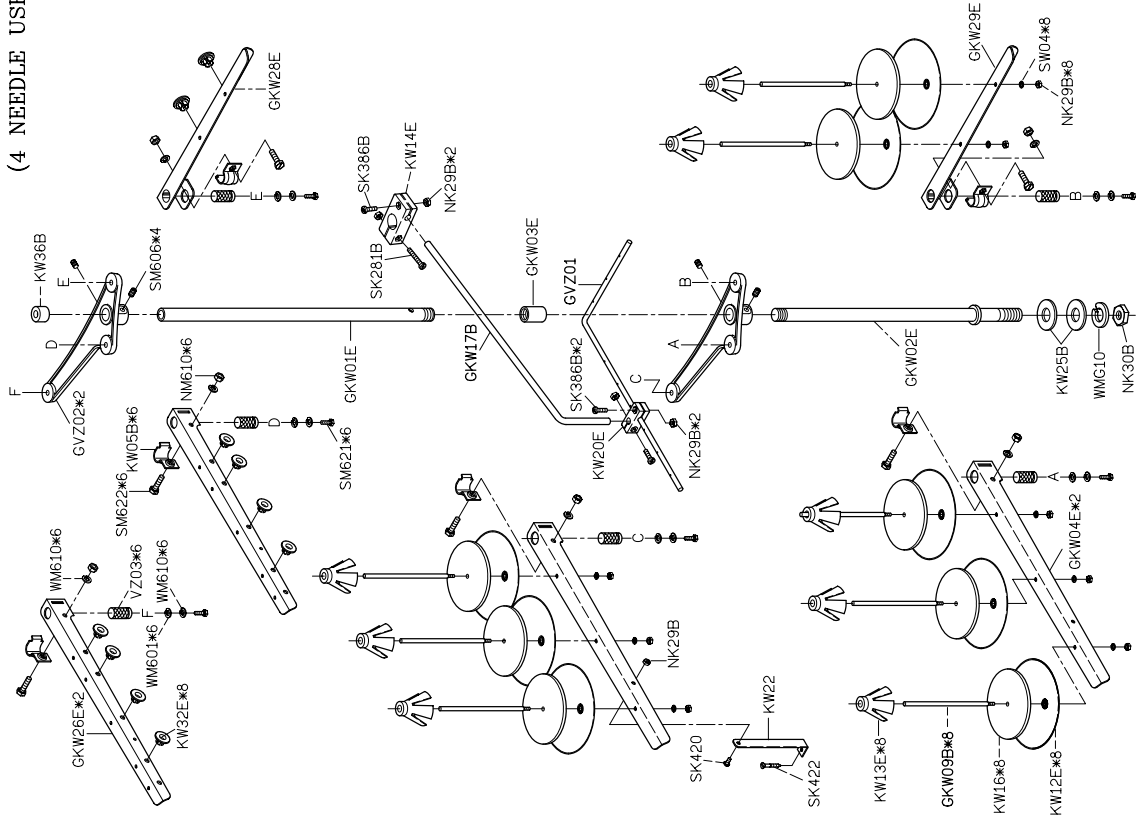
VN GRUP İÇİN PARÇA LİSTESİ



| | | | | |
|----------------------|----------------------------|---------------------|--------------------|------------------------------------|
| GMV01 防塵罩 | KY02F-A 油罐 | KY03 油壺 | KY04 漏斗 | KY07 開口板手 |
| KY08 開口板手 | KY09 開口板手 | MY09 六角板手 | KY10 六角板手 | MY11 六角板手 |
| MY12 六角板手 | KY11 六角板手 | KY14 內六角螺絲起子 | KY16 一字起子 | KY17 一字起子 |
| KY18 鑷子 | KY22 一字起子 (23#用) | KT14-A 濾油器 | GKY26F 工具袋 | 針*5 |
| GKY20D-A 腳踏墊板 | KY21-1/ MY21 鉤子/鍊條 | KT14-A 濾油器 | KZ03 乾燥劑 | VY01/P 使用說明書 四針十二針車使用說明書 |
| | | VY04 零件圖 | VY09 輔助件零件圖 | |



(4 NEEDLE USE)



VY GRUP İÇİN PARÇA LİSTESİ

VZ GRUP İÇİN PARÇA LİSTESİ



VC008

高林股份有限公司 KAULIN MFG. CO., LTD.